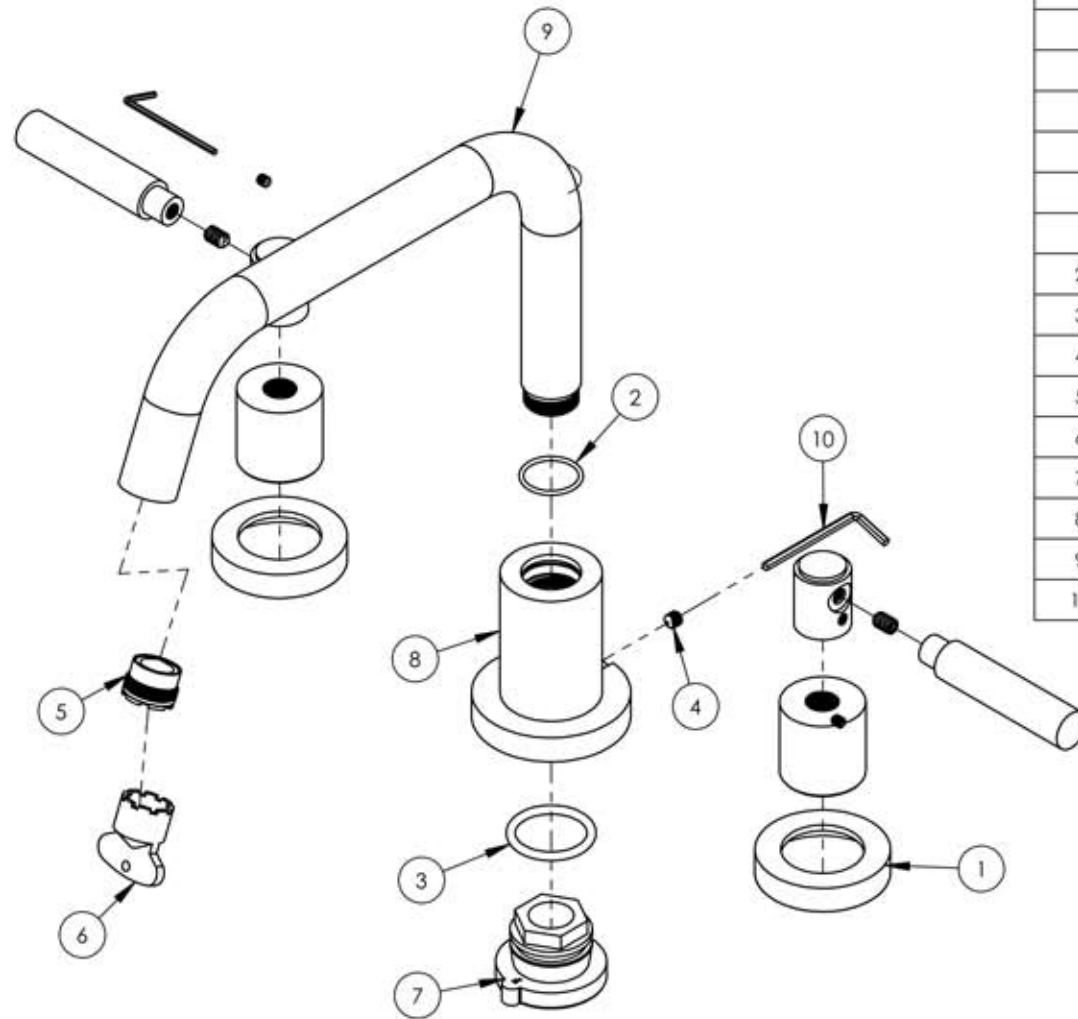


A

B

C

D



ITEM NO.	PART NUMBER	DESCRIPTION	QTY.
1	3-185/00	STRAIGHT LEVER HANDLE FOR DECK TUB, BASIC SERIES	2
	11108/00	ESCUTCHEON LARGE ID FOR RT/PB, BASIC SERIES	1
	11107/00	HUB LARGE FOR RT, BASIC SERIES	1
	P01074/00	HUB, STEM FOR BASIC LEVER HANDLE	1
	92008	SET SCREW, CUP POINT 8-32UNC 3/16"L	1
	P01078/00	HANDLE LEVER, BASIC	1
	92173	SET SCREW, CUP POINT, 1/4-20 X 3/8"L, STAINLESS STEEL	1
	P39001	5/64 HEX KEY	1
2	90020	O-RING, 7/8"ID X 1"OD X 1/16"THK, AS-568-020	1
3	90216	O-RING, 1-1/8"ID X 1-3/8"OD X 1/8"THK., AS-568-216	1
4	92191	M6X1.0 -6MM L	1
5	P05024	AERATOR CACHE JUNIOR FULL FLOW BLUE	1
6	P05025	AERATOR, BASIC KEY, PLASTIC RED	1
7	P27018	DECK SPOUT ADAPTER, W/ 3/4 NPT	1
8	P27031	BASE, SPOUT, DECK, BASIC SERIES, FOR DECK TUB FAUCET	1
9	P27033/00	LOW SPOUT, ROMAN TUB, BASIC SERIES	1
10	P39005	3MM HEX KEY	1

E

C3	A	LARGE HUB	11-26-13	
ZONE	REV.	DESCRIPTION	DATE	APPROVED
		REVISIONS		

1261 LOGAN AVENUE
COSTA MESA, CALIFORNIA 92626
PHONE: 714.361.4800
FAX: 714.617.3120

PHYLORICH®

Defining Luxury Since 1959

PROPRIETARY AND CONFIDENTIAL

THE INFORMATION CONTAINED IN THIS DRAWING IS THE SOLE PROPERTY OF RSS MANUFACTURING. ANY REPRODUCTION IN PART OR AS A WHOLE WITHOUT THE WRITTEN PERMISSION OF RSS MANUFACTURING IS PROHIBITED.

NEXT ASSY	USED ON	FRACTIONS ±1/64"	DECIMALS X.X: ±.1 X.XX: ±.01 X.XXX: ±.005	ANGULAR ±.5°
APPLICATION				
MATERIAL			NAME	DATE
FINISH		DRAWN	CA	10/3/2013
DO NOT SCALE DRAWING		CHECKED		

ROMAN TUB, BASIC SERIES, LEVER
HANDLE, FLAT SPOUT

SIZE	ASM/PRT NO.	REV
A	D1132D/00	A
SCALE: 1:3	WEIGHT: lbs.	SHEET 1 OF 2

5

4

3

2

1